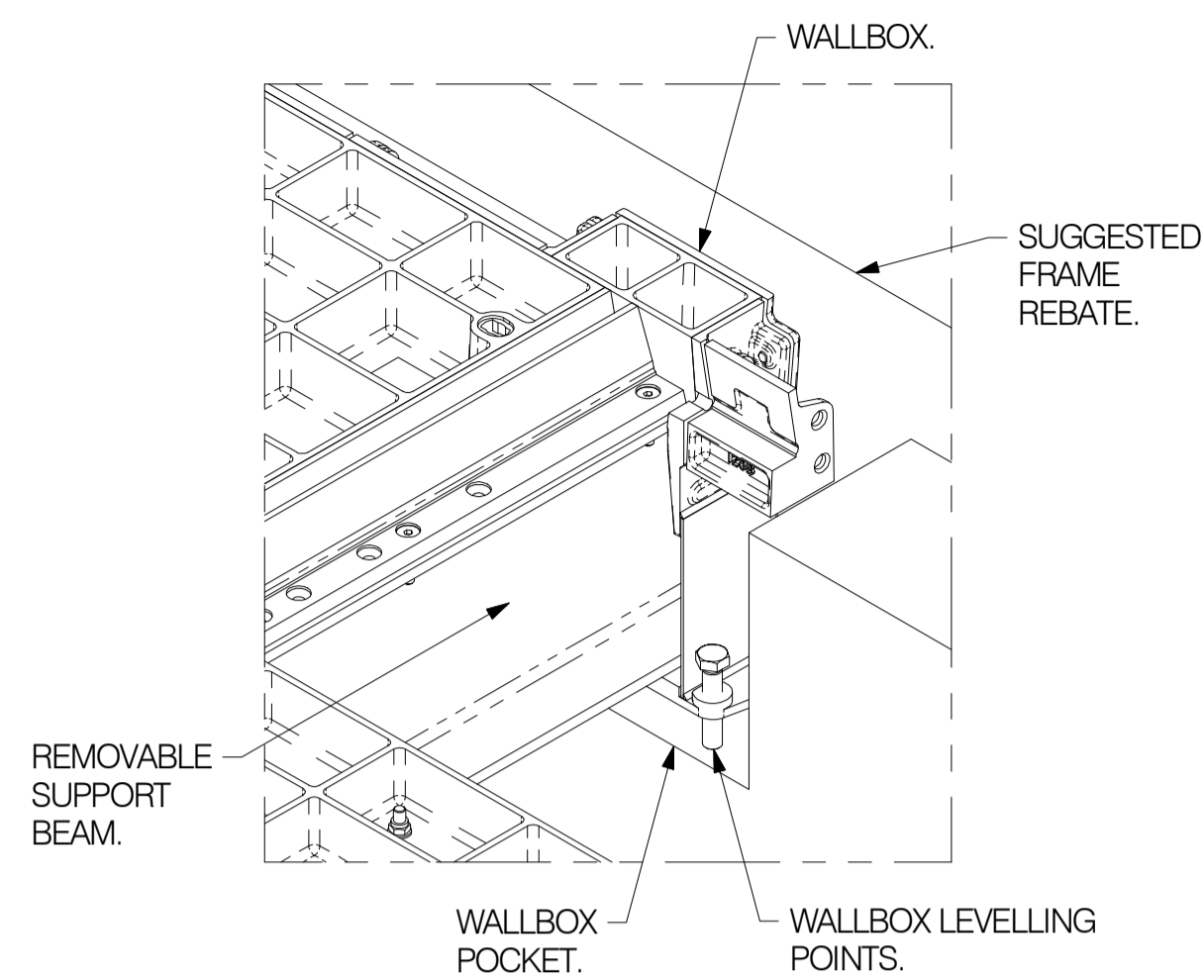


Abbreviations:
 C = Centre Line NOM = Nominal C/O = Clear Opening O/A = Overall

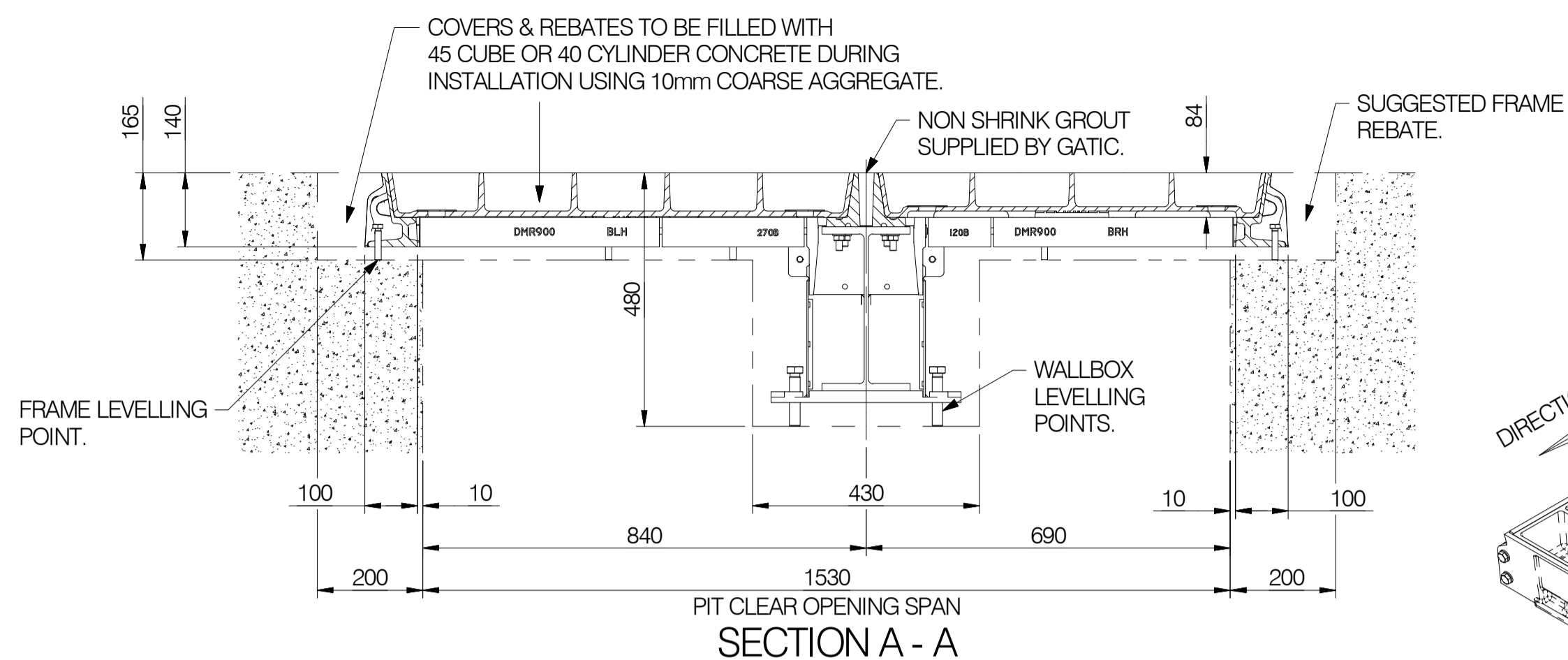
DO NOT SCALE

This drawing and any information or descriptive matter set out hereon are confidential and the copyright of GATIC, and are not to be disclosed, loaned, copied or used for manufacturing or tendering or for any other purpose without permission © 2013. In furtherance of our policy of continual development we reserve the right to change the design of the components incorporated hereon without notice.

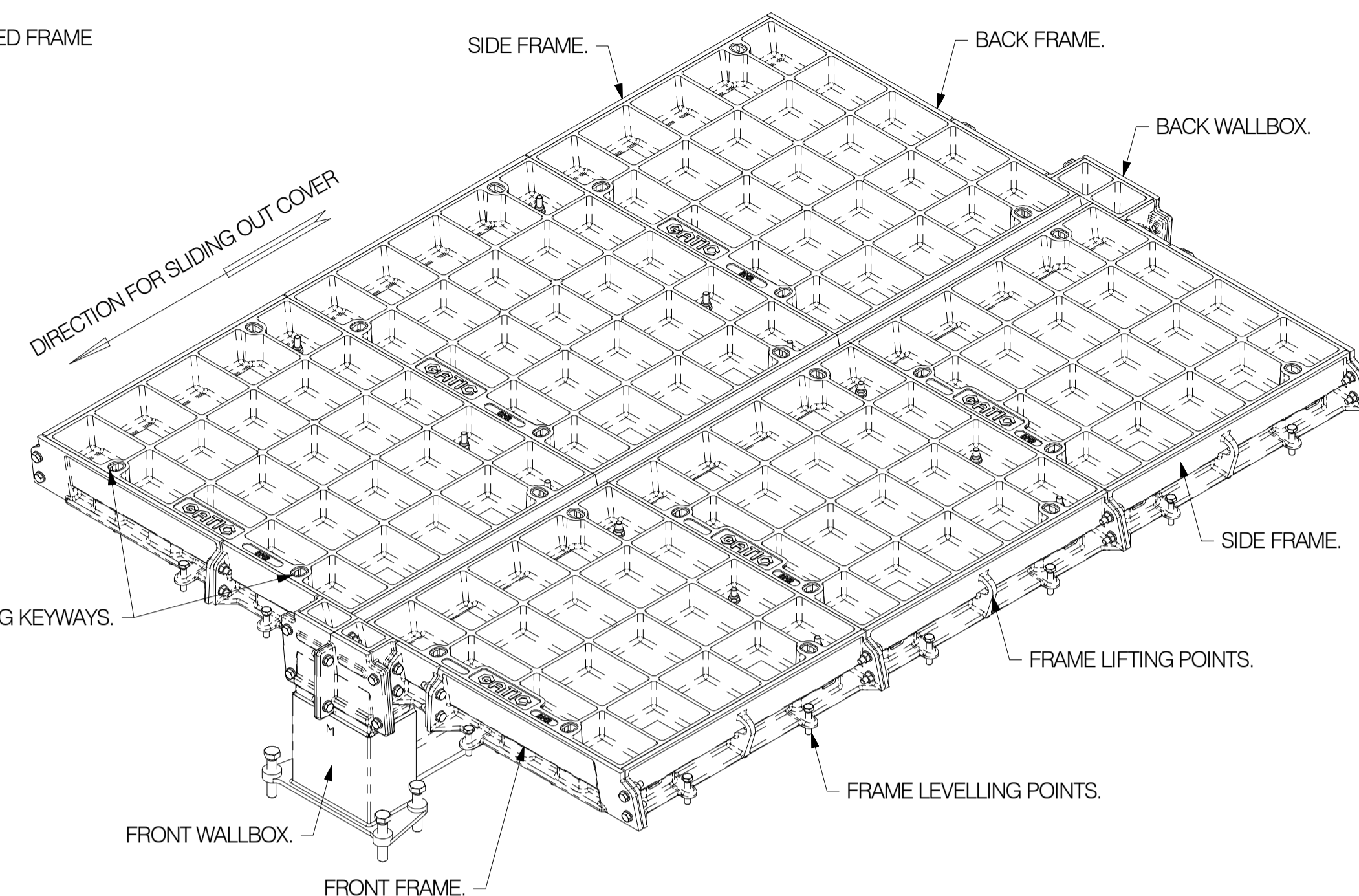
Rev.	Revision	Date	Sig
A	FIRST ISSUE	25/10/2013	K.F.



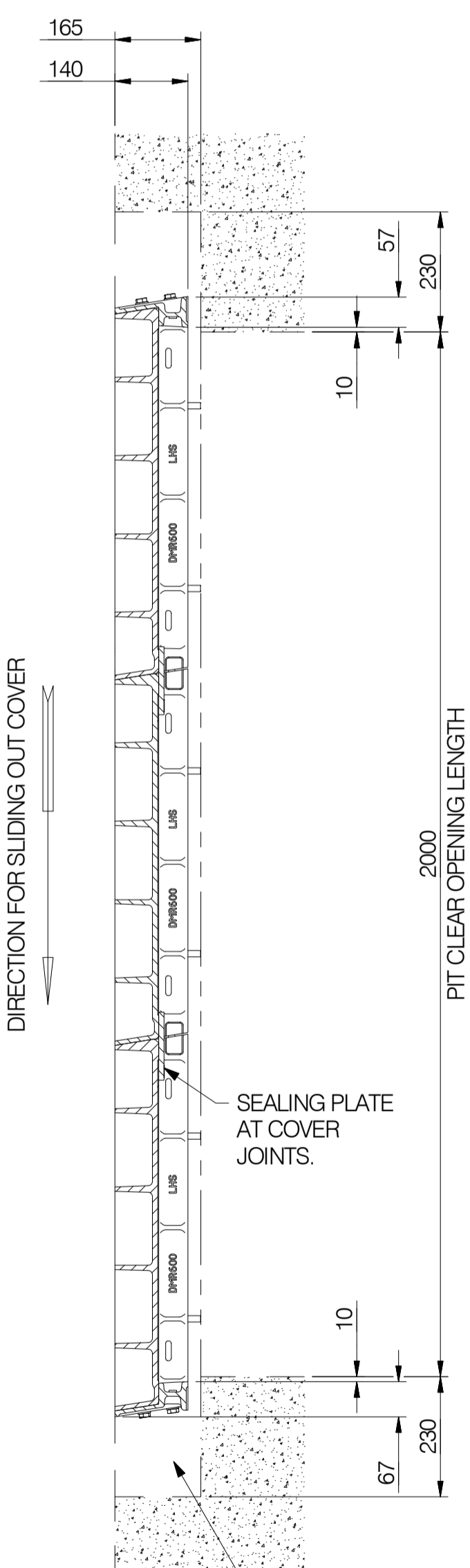
BACK WALLBOX ISOMETRIC VIEW



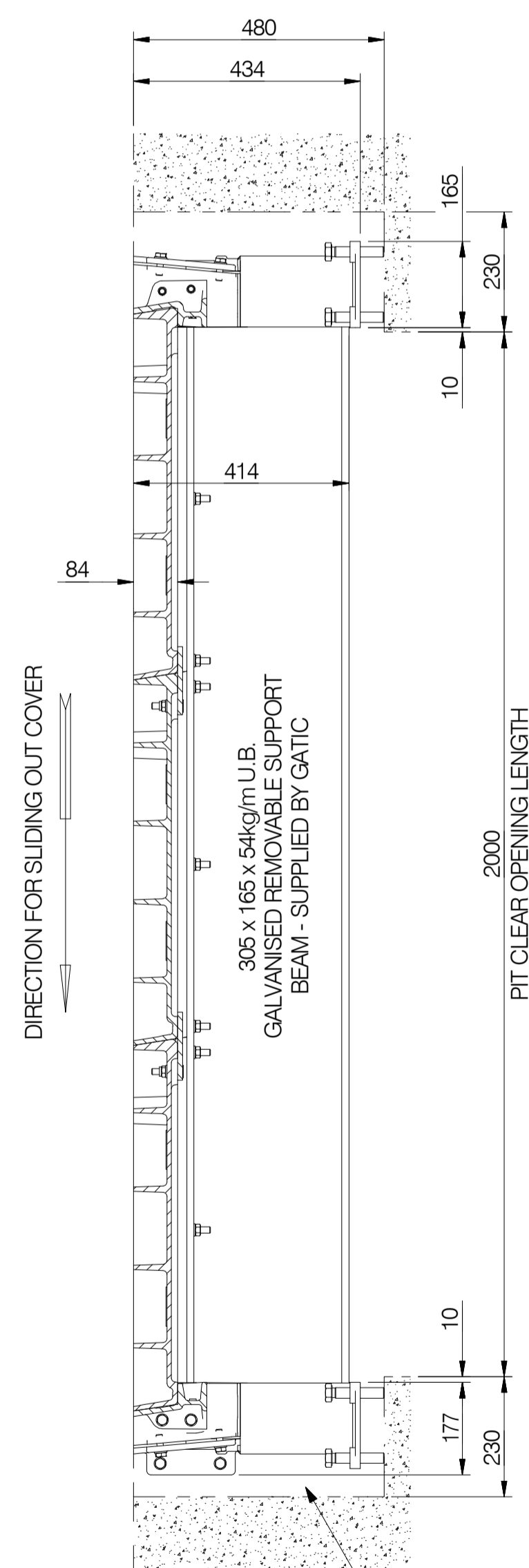
SECTION A - A



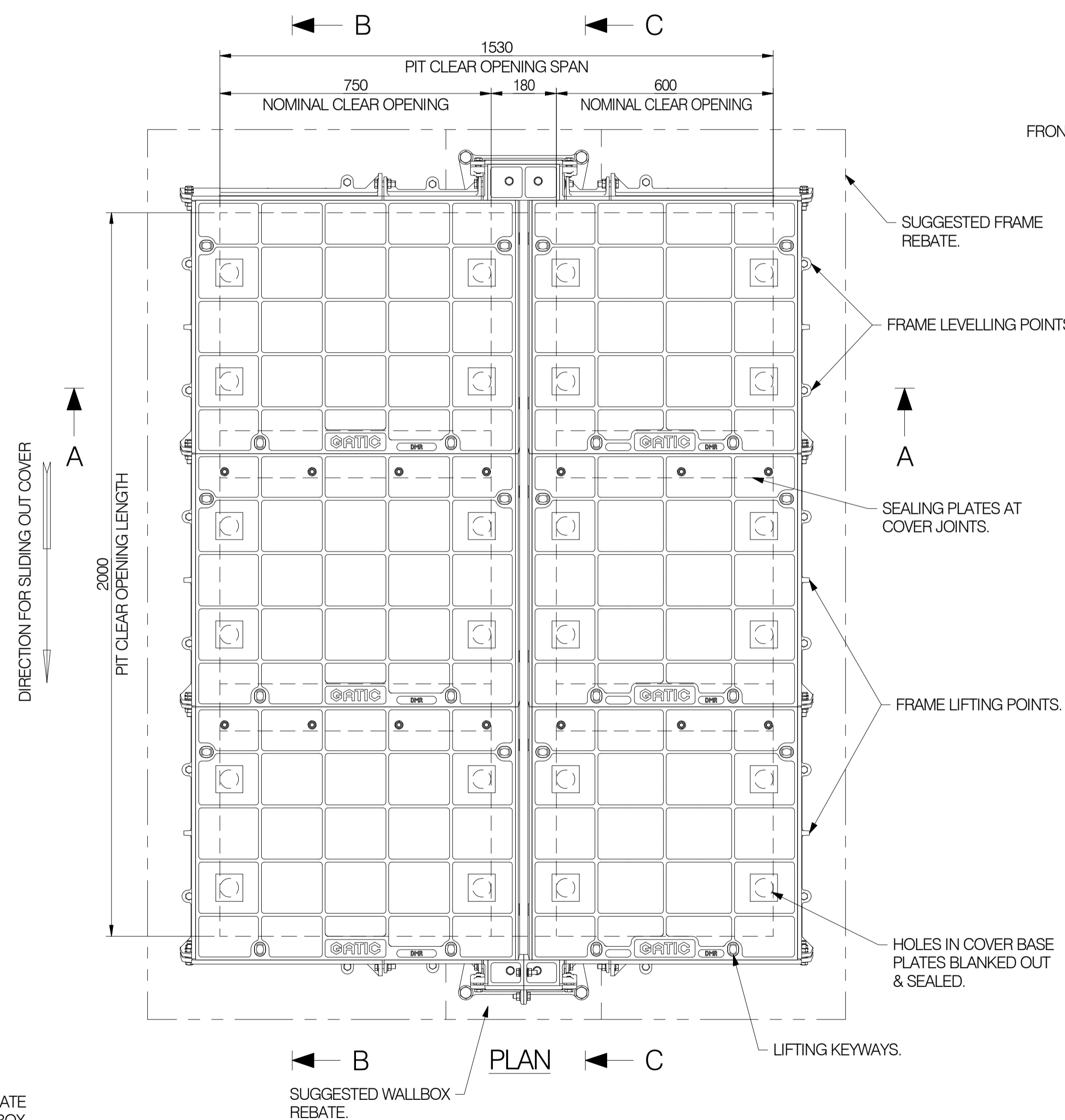
ISOMETRIC VIEW



SECTION B - B



SECTION C - C



PLAN

2000 x 1530mm PIT CLEAR OPENING GATIC 6 PART RECESSED MULTISPAN COVER & FRAME COMPLETE WITH ONE REMOVABLE SUPPORT BEAM - TYPE DMR
 PRODUCT CODE - GA/M/M/2000/1530/D/UKPN

COVER MAKE UP
 3 - 600 x 750 DMR NOM. C/O. COVER
 3 - 600 x 600 DMR NOM. C/O. COVER

COVER WEIGHT

COMPLETE SUPPLIED UNIT WEIGHT - 900 kg
 600 x 750 DMR COVER ONLY WEIGHT (UNFILLED) - 97kg
 600 x 750 DMR COVER ONLY WEIGHT (FILLED) - 165kg
 600 x 600 DMR COVER ONLY WEIGHT (UNFILLED) - 74kg
 600 x 600 DMR COVER ONLY WEIGHT (FILLED) - 138kg
 BEAM ASSEMBLY WEIGHT - 201kg

NOTES:

- ALL DIMENSIONS ARE IN MILLIMETRES (mm).
- MATERIAL:
 COVERS & FRAMES - DUCTILE CAST IRON TO 'BS EN ISO 1563 : 2011' (SPHEROIDAL GRAPHITE) GRADE 600/3.
 REMOVABLE SUPPORT STEEL WORK - STRUCTURAL STEEL SECTIONS TO 'BS 4-1 : 2005'.
- FINISH:
 UNITS ARE COATED WITH A BLACK BITUMINOUS SOLUTION THAT ACTS AS A TEMPORARY PROTECTION DURING TRANSIT.
 REMOVABLE SUPPORTING STEEL WORK - GALVANISED TO 'BS EN ISO 1461 : 2009'.
- TEST LOADING:
 TO 'BS EN ISO 124 : 1994' - D400.
 SUITABLE FOR 11.5 TONNE WHEEL LOAD.
- BEFORE COMMENCING SITE INSTALLATION REFER TO SETTING INSTRUCTIONS SUPPLIED AND GATIC MULTISPAN INSTALLTION TUTORIAL AVAILABLE FROM www.gatic.com/tutorial.

GATIC

Specialised Engineering. Special Advice.

Poulton Close Dover, Kent
 CT17 0UF, England
 Telephone: +44 (0) 1304 203545
 Fax: +44 (0) 1304 215001
 E-Mail: info@gatic.com
 Web: www.gatic.com
 A division of ALUMASC LIMITED.

GATIC Access Covers

Drawn by	K.F.	2000 x 1530mm PIT CLEAR OPENING GATIC 6 PART RECESSED MULTISPAN COVER & FRAME - TYPE DMR	Rev.
Checked by	B.T.		
Date	25/10/2013	Drawing Number	GA/M/M/2000/1530/D/UKPN
Scale	1:10	A1	