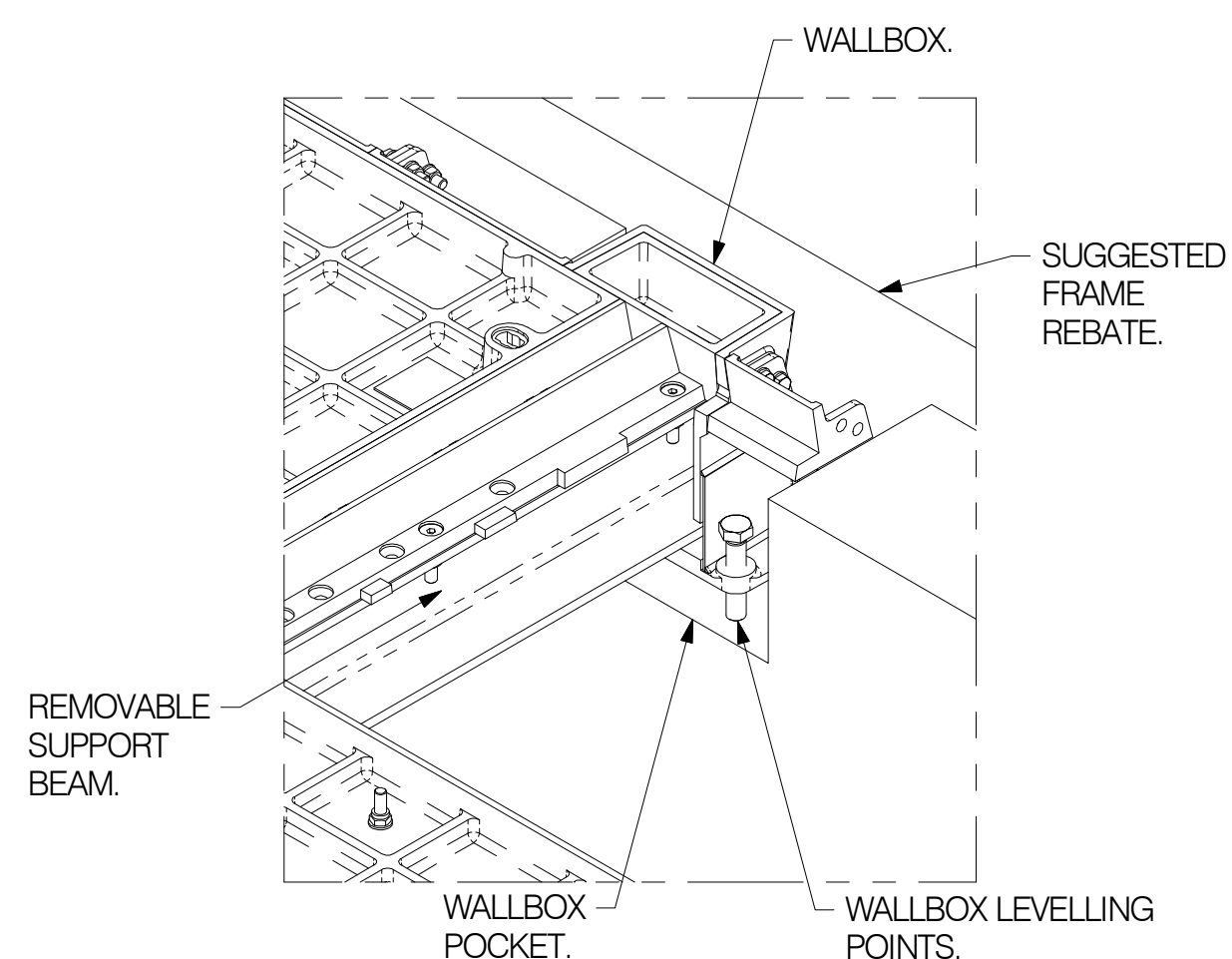


Abbreviations:  
 C = Centre Line NOM = Nominal C/O = Clear Opening O/A = Overall

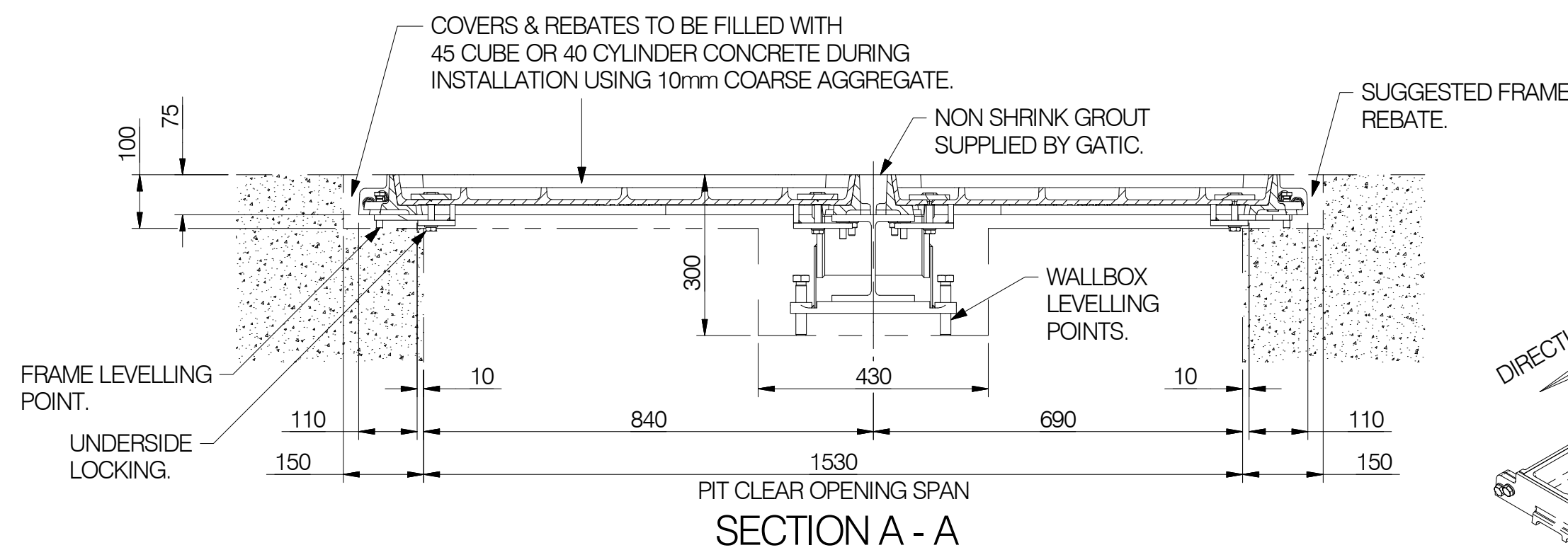
DO NOT SCALE

This drawing and any information or descriptive matter set out hereon are confidential and the copyright of GATIC, and are not to be disclosed, loaned, copied or used for manufacturing or tendering or for any other purpose without permission © 2013. In furtherance of our policy of continual development we reserve the right to change the design of the components incorporated hereon without notice.

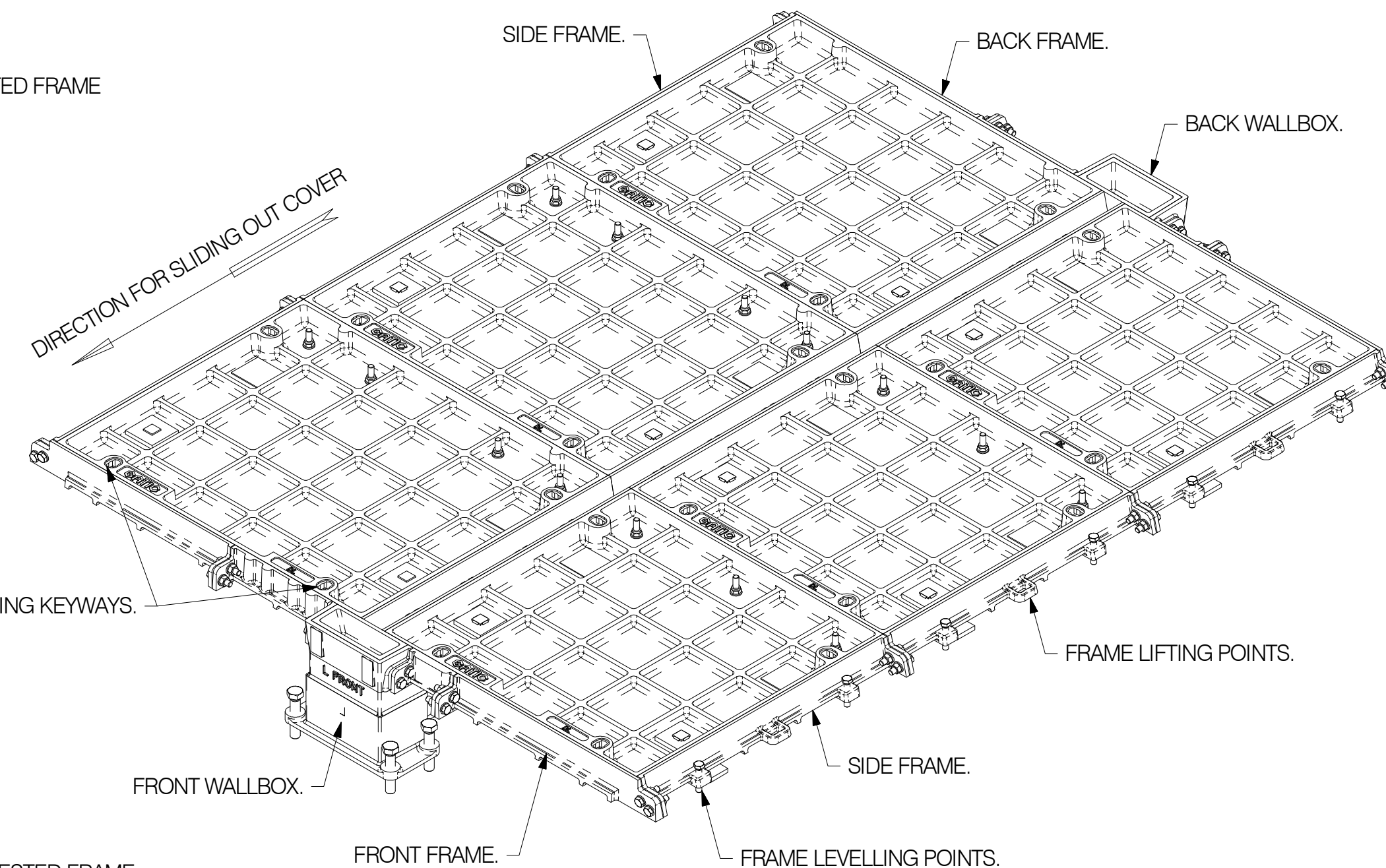
Rev.	Revision	Date	Sig
A	FIRST ISSUE	25/10/2013	K.F.



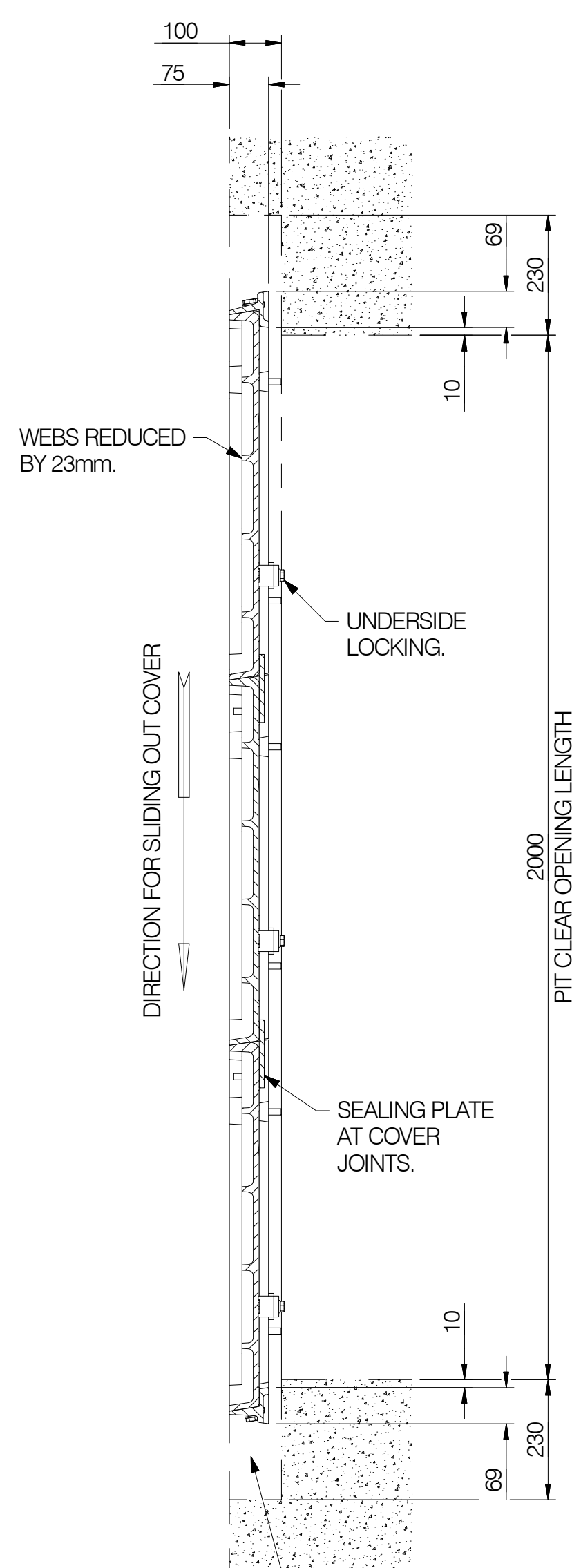
BACK WALLBOX ISOMETRIC VIEW



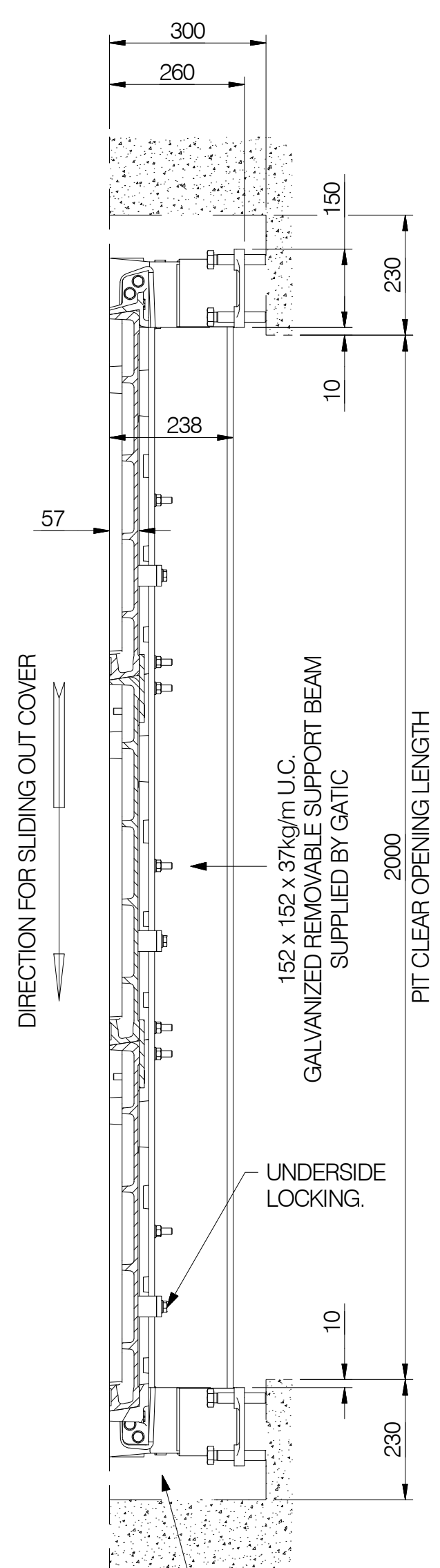
SECTION A - A



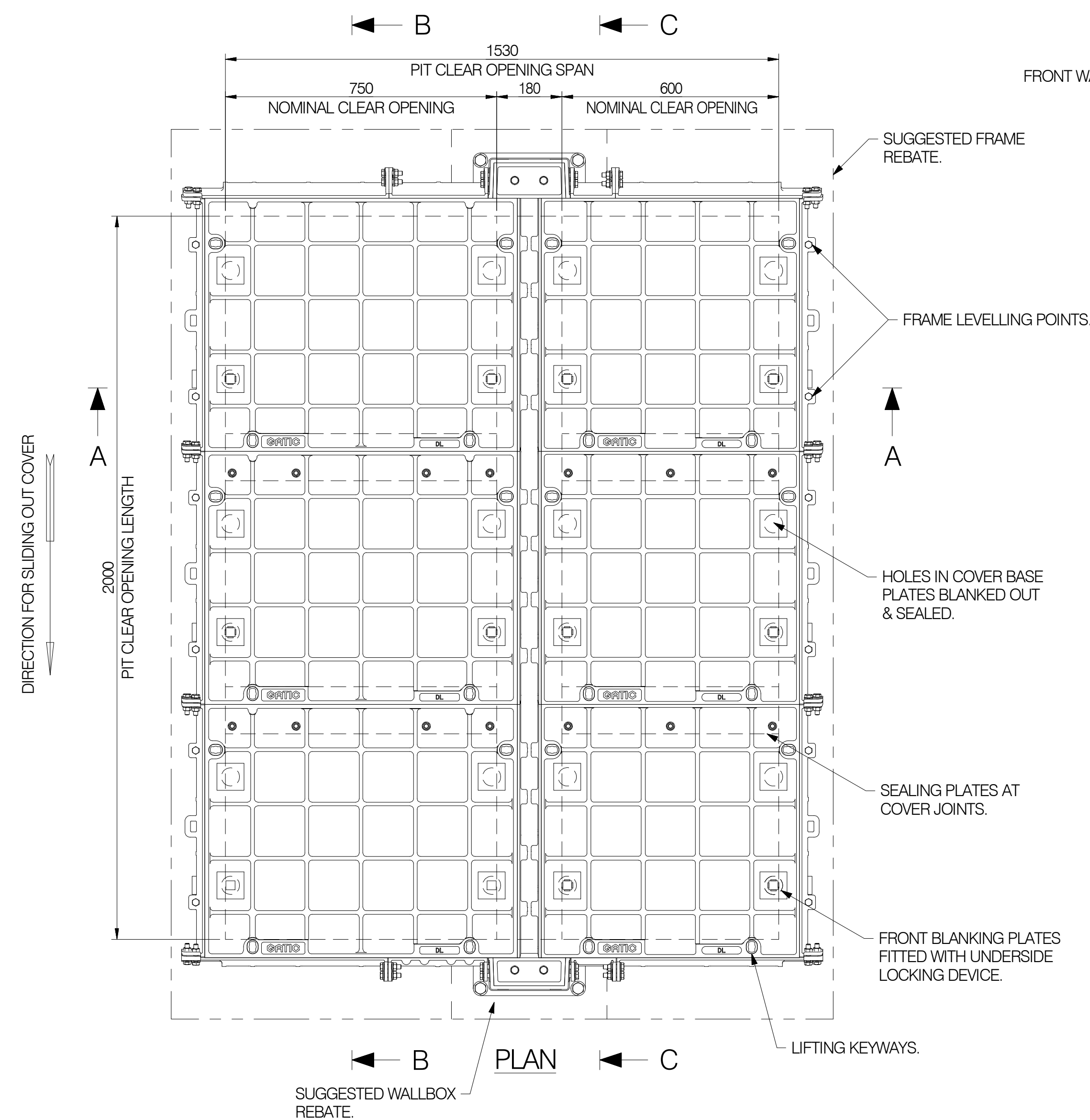
ISOMETRIC VIEW



SECTION B - B



SECTION C - C



PLAN

NOTES:

- ALL DIMENSIONS ARE IN MILLIMETRES (mm).
- MATERIAL:  
 COVERS & FRAMES - DUCTILE CAST IRON TO 'BS EN ISO 1563 : 2011' (SPHEROIDAL GRAPHITE) GRADE 600/3.  
 REMOVABLE SUPPORT STEEL WORK - STRUCTURAL STEEL SECTIONS TO BS 4-1 : 2005.
- FINISH:  
 UNITS ARE COATED WITH A BLACK BITUMINOUS SOLUTION THAT ACTS AS A TEMPORARY PROTECTION DURING TRANSIT.  
 REMOVABLE SUPPORTING STEEL WORK - GALVANISED TO BS EN ISO 1461 : 2009.
- TEST LOADING:  
 TO BS EN ISO 124 : 1994 - B125 SUITABLE FOR 3 TONNE WHEEL LOAD.
- UNIT IS SUPPLIED WITH UNDERSIDE LOCKING FOR ADDED SECURITY.
- BEFORE COMMENCING SITE INSTALLATION REFER TO SETTING INSTRUCTIONS SUPPLIED AND GATIC MULTISPAN INSTALLTION TUTORIAL AVAILABLE FROM [www.gatic.com/tutorial](http://www.gatic.com/tutorial).

2000 x 1530mm PIT CLEAR OPENING GATIC 6 PART RECESSED MULTISPAN COVER & FRAME COMPLETE WITH ONE REMOVABLE SUPPORT BEAM - TYPE DL  
 PRODUCT CODE - GA/M/DL/2000/1530/B/UKPN/USL

COVER MAKE UP  
 3 - 600 x 750 DL NOM. C/O. COVER  
 3 - 600 x 600 DL NOM. C/O. COVER

COVER WEIGHT

COMPLETE SUPPLIED UNIT WEIGHT - 2714 kg  
 600 x 750 DL COVER ONLY WEIGHT (UNFILLED) - 68kg  
 600 x 750 DL COVER ONLY WEIGHT (FILLED) - 123kg  
 600 x 600 DL COVER ONLY WEIGHT (UNFILLED) - 52kg  
 600 x 600 DL COVER ONLY WEIGHT (FILLED) - 98kg  
 BEAM ASSEMBLY WEIGHT - 135kg

**GATIC**

Specialised Engineering. Special Advice.

Poultton Close Dover, Kent  
 CT17 0UF, England  
 Telephone: +44 (0) 1304 203545  
 Fax: +44 (0) 1304 215001  
 E-Mail: [info@gatic.com](mailto:info@gatic.com)  
 Web: [www.gatic.com](http://www.gatic.com)  
 A division of ALUMASC LIMITED.

**GATIC Access Covers**

Drawn by	K.F.	2000 x 1530mm PIT CLEAR OPENING GATIC 6 PART RECESSED MULTISPAN COVER & FRAME - TYPE DL	Rev.
Checked by	B.T.		
Date	25/10/2013	Drawing Number	GA/M/DL/2000/1530/B/UKPN/USL
Scale	1:10	A1	