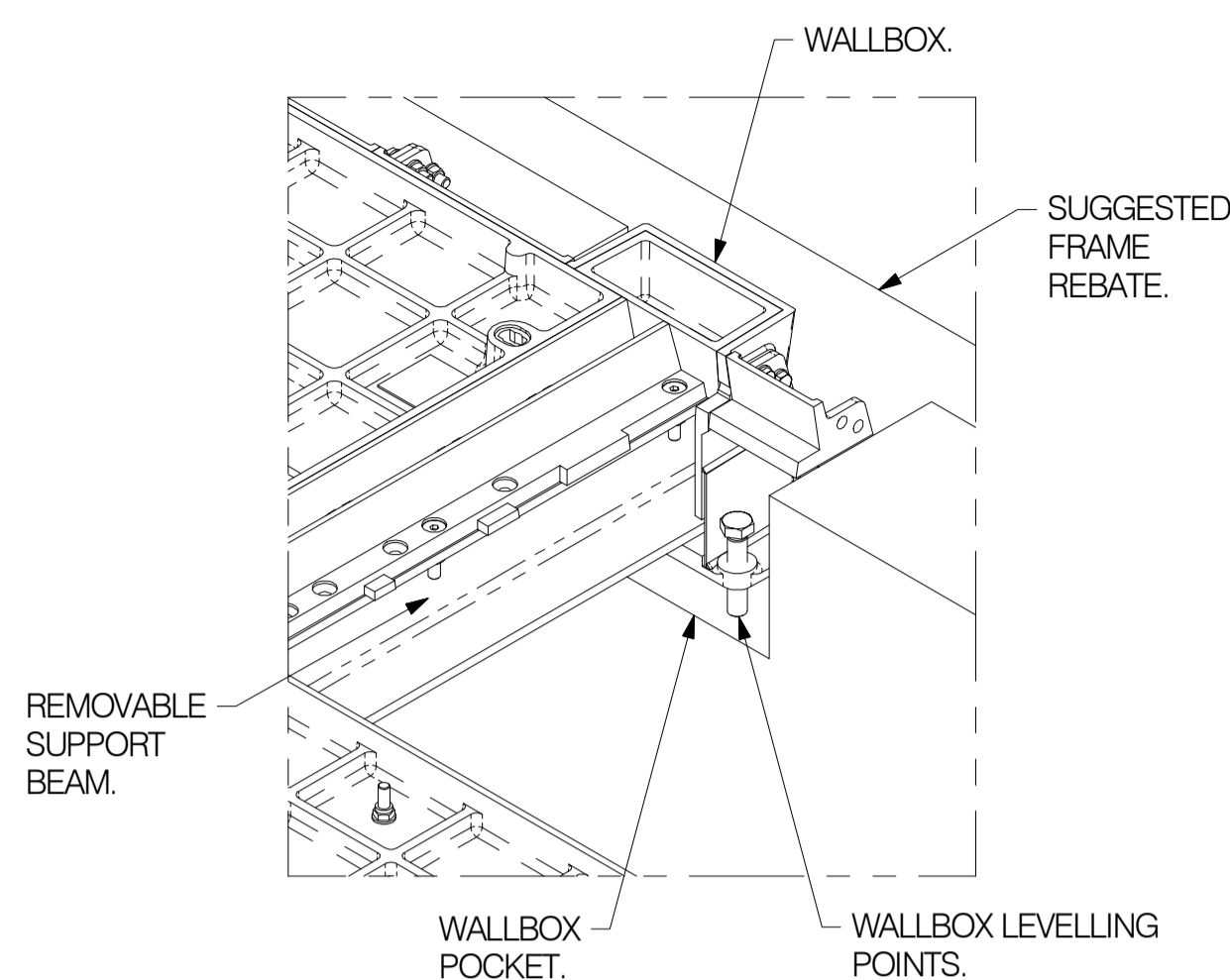


Abbreviations:  
 C = Centre Line NOM = Nominal C/O = Clear Opening O/A = Overall

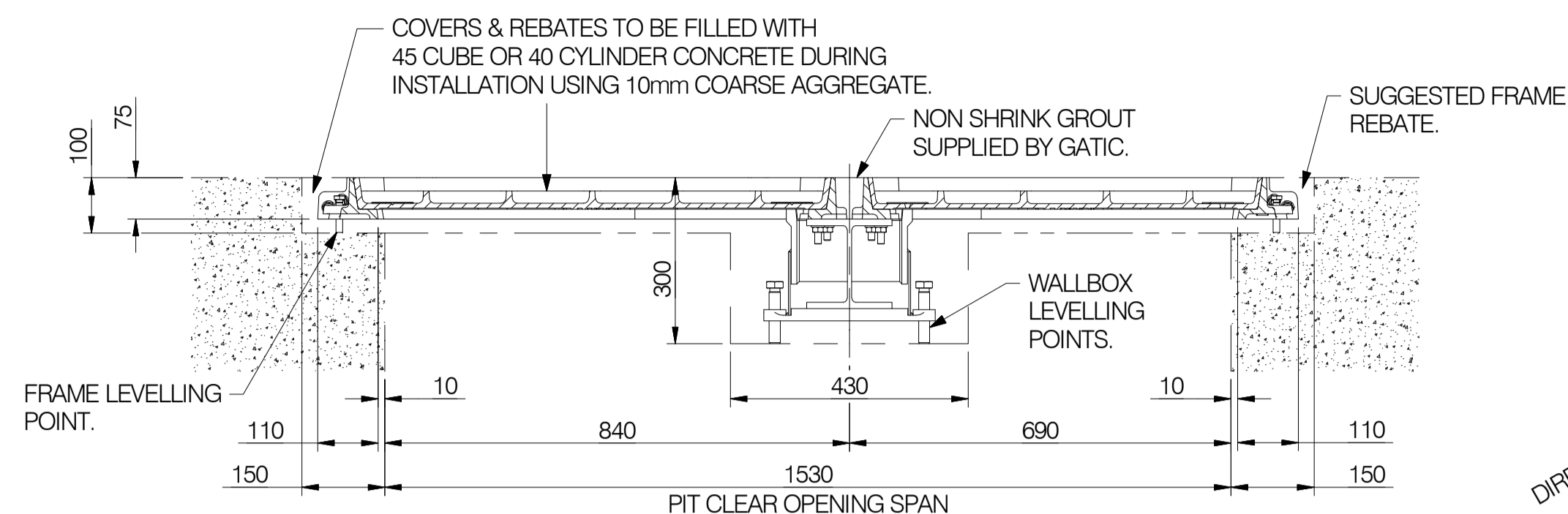
DO NOT SCALE

This drawing and any information or descriptive matter set out hereon are confidential and the copyright of GATIC, and are not to be disclosed, loaned, copied or used for manufacturing or tendering or for any other purpose without permission © 2013. In furtherance of our policy of continual development we reserve the right to change the design of the components incorporated hereon without notice.

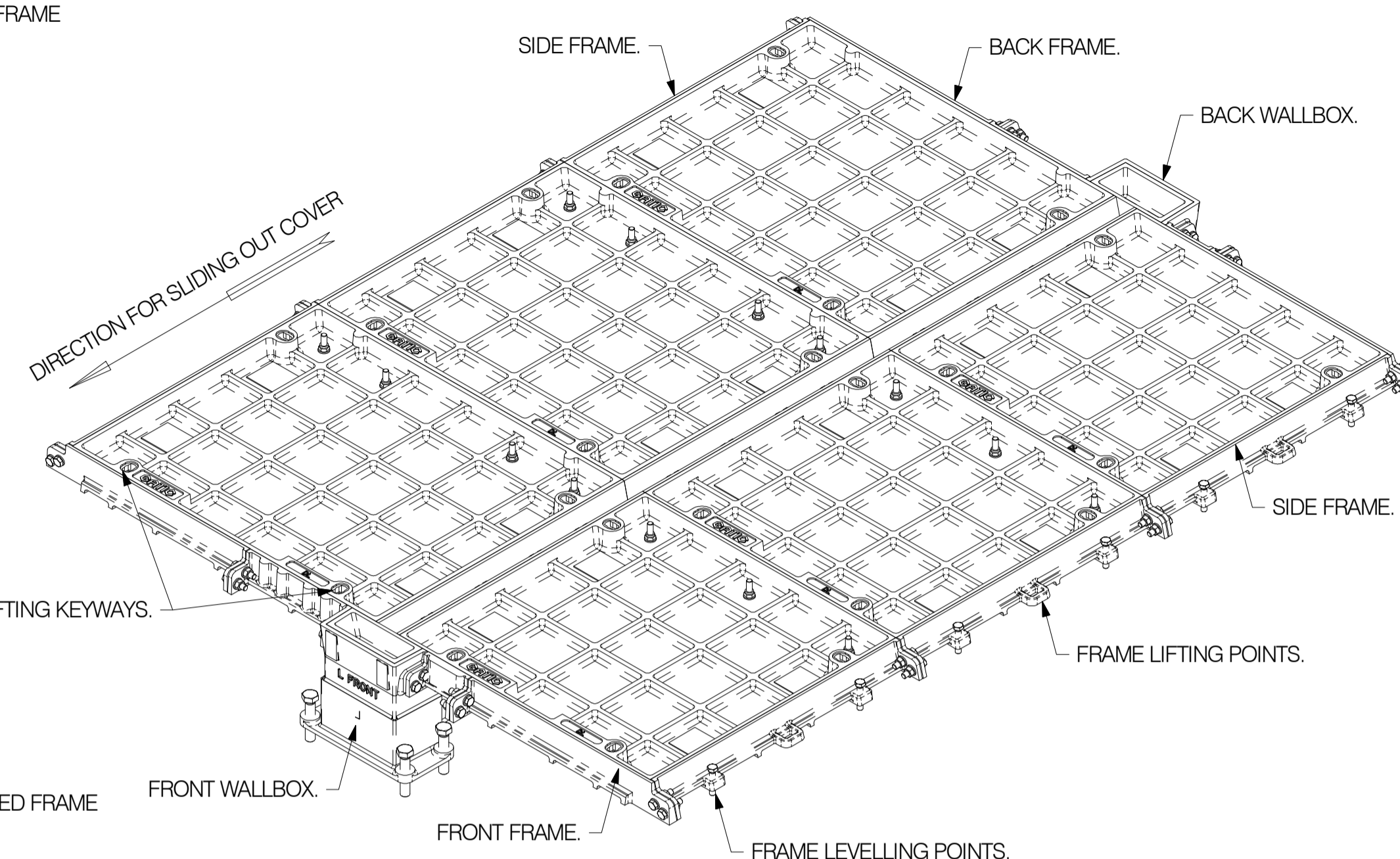
Rev.	Revision	Date	Sig
A	FIRST ISSUE	25/10/2013	K.F.



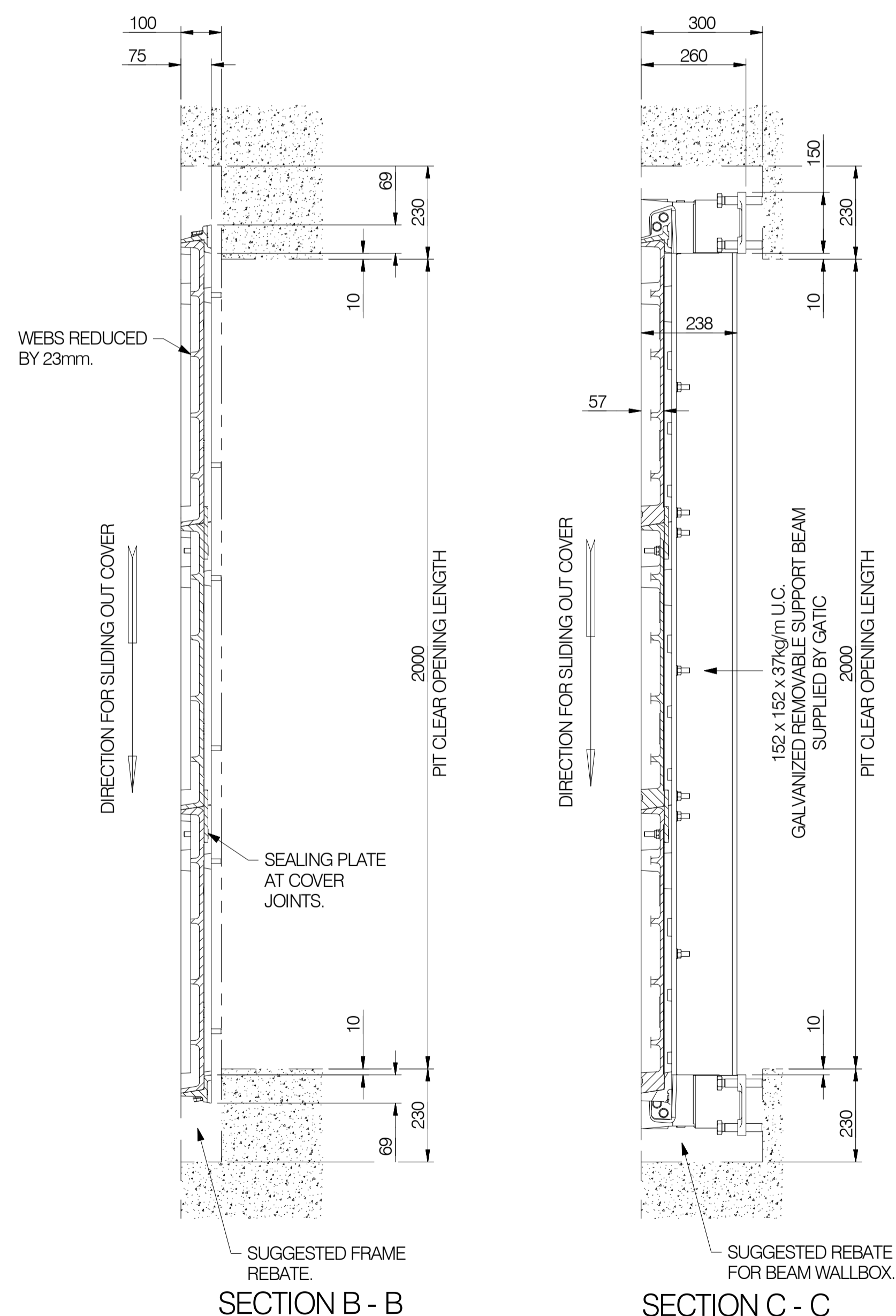
BACK WALLBOX ISOMETRIC VIEW



SECTION A - A

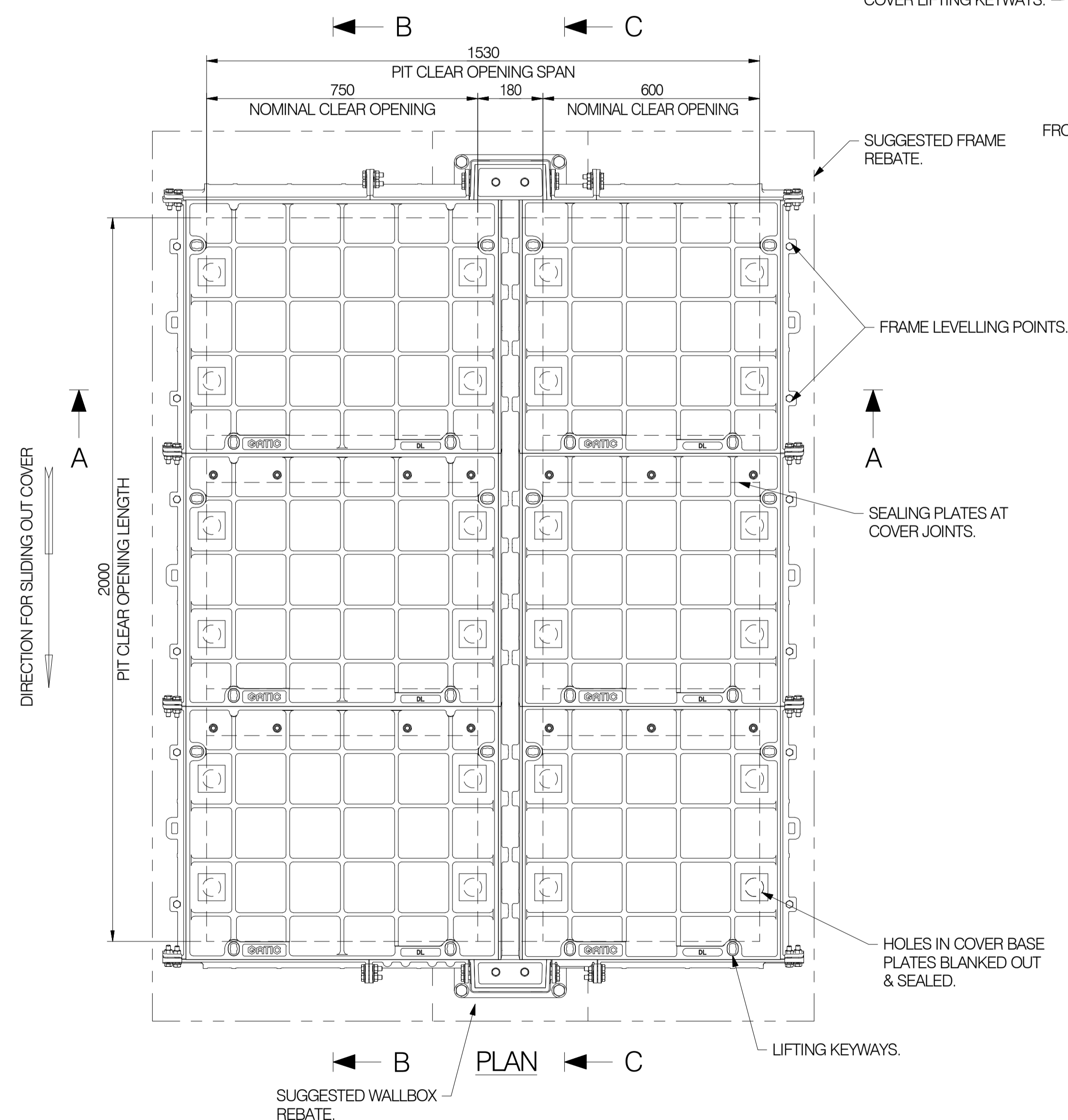


ISOMETRIC VIEW



SECTION B - B

SECTION C - C



PLAN

2000 x 1530mm PIT CLEAR OPENING GATIC 6 PART  
 RECESSED MULTISPAN COVER & FRAME COMPLETE WITH  
 ONE REMOVABLE SUPPORT BEAM - TYPE DL  
 PRODUCT CODE - GA/M/DL/2000/1530/B/UKPN

COVER MAKE UP  
 3 - 600 x 750 DL NOM. C/O. COVER  
 3 - 600 x 600 DL NOM. C/O. COVER

COVER WEIGHT

COMPLETE SUPPLIED UNIT WEIGHT - 2702 kg  
 600 x 750 DL COVER ONLY WEIGHT (UNFILLED) - 68kg  
 600 x 750 DL COVER ONLY WEIGHT (FILLED) - 123kg  
 600 x 600 DL COVER ONLY WEIGHT (UNFILLED) - 52kg  
 600 x 600 DL COVER ONLY WEIGHT (FILLED) - 98kg  
 BEAM ASSEMBLY WEIGHT - 135kg

NOTES:

- ALL DIMENSIONS ARE IN MILLIMETRES (mm).
- MATERIAL:  
 COVERS & FRAMES -  
 DUCTILE CAST IRON TO 'BS EN ISO 1563 : 2011'  
 (SPHEROIDAL GRAPHITE) GRADE 600/3.  
 REMOVABLE SUPPORT STEEL WORK -  
 STRUCTURAL STEEL SECTIONS TO 'BS 4-1 : 2005'.
- FINISH:  
 UNITS ARE COATED WITH A BLACK BITUMINOUS SOLUTION  
 THAT ACTS AS A TEMPORARY PROTECTION DURING TRANSIT.  
 REMOVABLE SUPPORTING STEEL WORK -  
 GALVANISED TO 'BS EN ISO 1461 : 2009'.
- TEST LOADING:  
 TO 'BS EN ISO 124 : 1994' -  
 B125 SUITABLE FOR 3 TONNE WHEEL LOAD.
- BEFORE COMMENCING SITE INSTALLATION REFER TO  
 SETTING INSTRUCTIONS SUPPLIED AND GATIC  
 MULTISPAN INSTALLATION TUTORIAL AVAILABLE FROM  
[www.gatic.com/tutorial](http://www.gatic.com/tutorial).

**GATIC**

Specialised Engineering. Special Advice.

Poulton Close Dover, Kent  
 CT17 0UF, England  
 Telephone: +44 (0) 1304 203545  
 Fax: +44 (0) 1304 215001  
 E-Mail: [info@gatic.com](mailto:info@gatic.com)  
 Web: [www.gatic.com](http://www.gatic.com)  
 A division of ALUMASC LIMITED.

**GATIC** Access Covers

Drawn by	K.F.	2000 x 1530mm PIT CLEAR OPENING GATIC 6 PART RECESSED MULTISPAN COVER & FRAME - TYPE DL	Rev.
Checked by	B.T.		
Date	25/10/2013	Drawing Number	GA/M/DL/2000/1530/B/UKPN
Scale	1:10	A1	