

GATIC® NEENAH

EASY TO LIFT - ONE PERSON OPERATION
**AIRCRAFT RATED SPRING ASSISTED ACCESS
COVERS AND GRATINGS**



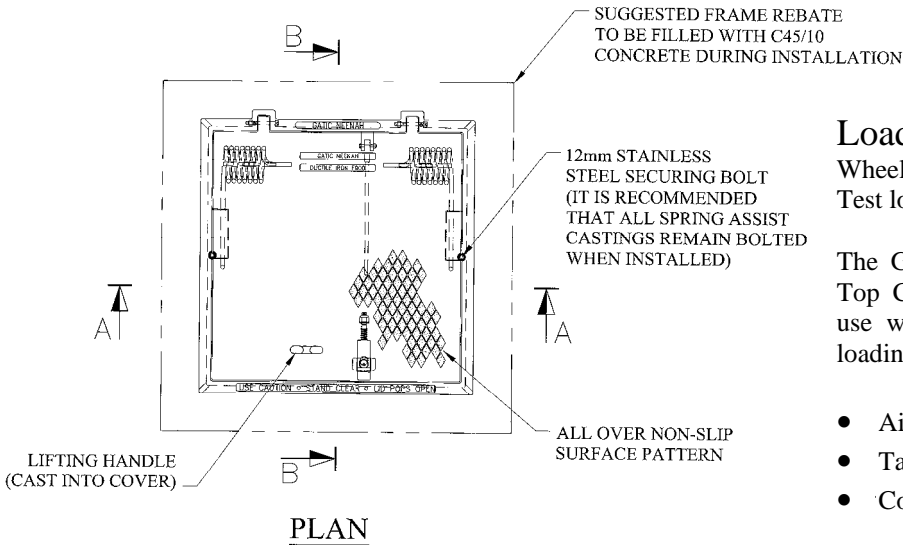
**AN INNOVATIVE SOLUTION WHERE FREQUENT ACCESS TO
UNDERGROUND SERVICES OR EQUIPMENT IS REQUIRED**

ELKINGTON GATIC, world leading manufacturer of engineered access covers and drainage systems, have combined their knowledge with NEENAH FOUNDRY USA to launch a Revolutionary New Assist Lift Product Range.

GATIC® NEENAH

ELKINGTON GATIC

Spring Assisted Covers & Frames



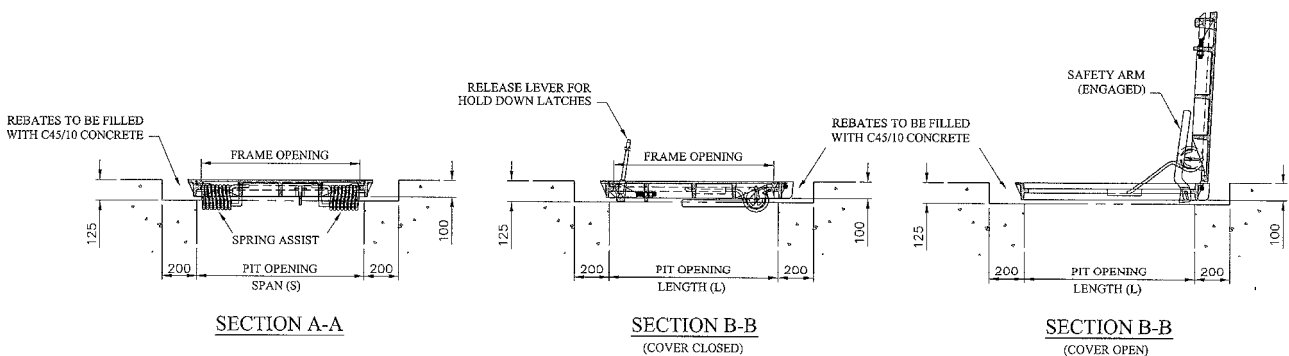
Loading Group - Gatic F900

Wheel load in excess of 20 Tonne
Test load 900kN to BS EN 124

The GATIC NEENAH Assist lift Solid Top Covers & frames are designed for use within areas where imposed wheel loadings exceed 20 tonne:

- Aircraft Pavements
- Taxiways of Civil Airports
- Container Ports & Dockyards

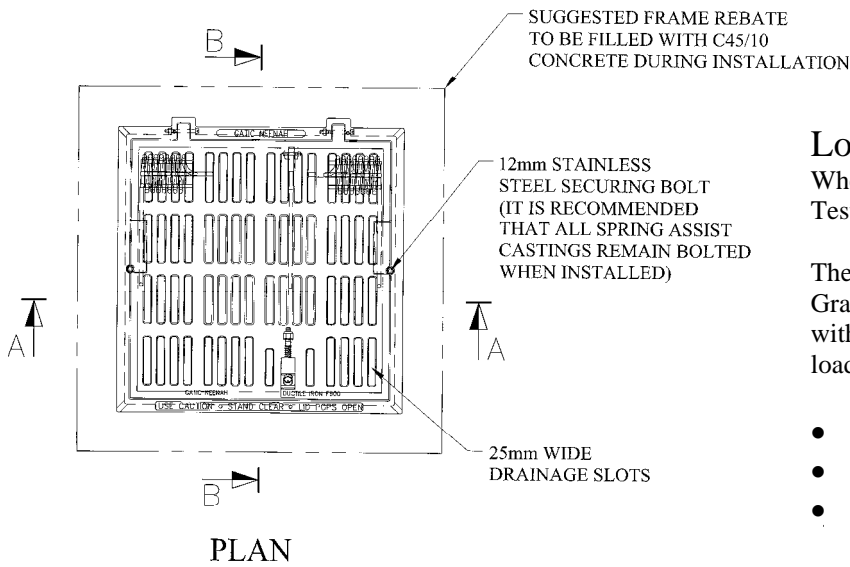
Product Ref.	Frame Opening Sizes (L x S)	Pit Opening Sizes (L x S)	No. of Covers	Overall Frame Size Length x Width x Depth	Suggested Rebate Size Length x Width x Depth
GNC6060	600 x 600	654 x 654	SINGLE	800 x 762 x 100	1054 x 1054 x 125
GNC6090	600 x 900	648 x 953	SINGLE	800 x 1067 x 100	1048 x 1353 x 125
GNC7575	750 x 750	800 x 800	SINGLE	956 x 914 x 100	1200 x 1200 x 125
GNC9090	900 x 900	965 x 965	SINGLE	1100 x 1067 x 100	1365 x 1365 x 125
GNC90188	900 x 1875	965 x 1935	DOUBLE	1100 x 2037 x 100	1065 x 2335 x 125



Telephone: +44 (0) 1304 203545 Fax: +44 (0) 1304 215001
 Email: acp@gaticcover.co.uk Website: www.gatic.com

GATIC® NEENAH

Spring Assisted Gratings & Frames



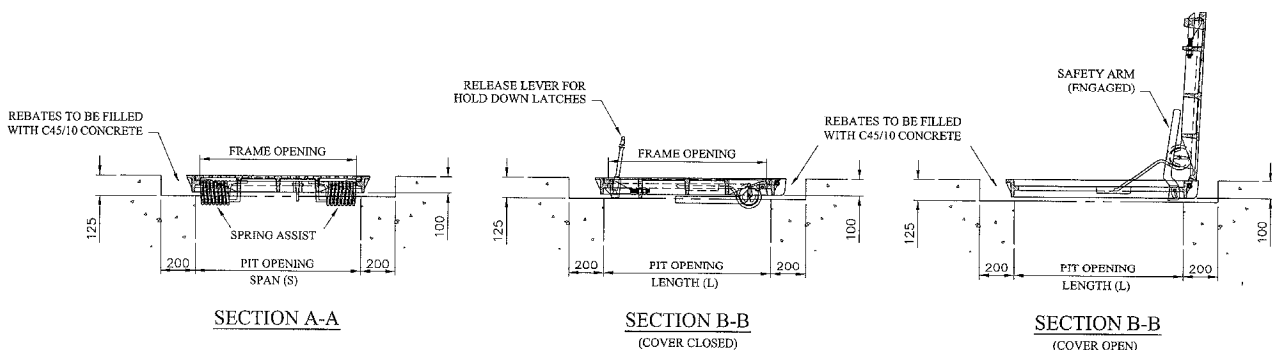
Loading Group - Gatic F900

Wheel load in excess of 20 Tonne
Test load 900kN to BS EN 124

The GATIC NEENAH Assist lift Gratings & frames are designed for use within areas where imposed wheel loadings exceed 20 tonne:

- Aircraft Pavements
- Taxiways of Civil Airports
- Container Ports & Dockyards

Product Ref.	Frame Opening Sizes (L x S)	Pit Opening Sizes (L x S)	Total Drainage Area (cm ²)	No. of Gratings	Overall Frame Size Length x Width x Depth	Suggested Rebate Size Length x Width x Depth
GNG6060	600 x 600	654 x 654	1420	SINGLE	800 x 762 x 100	1054 x 1054 x 125
GNG7575	750 x 750	800 x 800	1710	SINGLE	956 x 914 x 100	1200 x 1200 x 125
GNG9090	900 x 900	965 x 965	2738	SINGLE	1100 x 1067 x 100	1365 x 1365 x 125
GNG90188	900 x 1875	965 x 1935	5475	DOUBLE	1100 x 2037 x 100	1365 x 2335 x 125





GATIC® NEENAH RANGE

- Wide Range of Sizes
 - Covers and Gratings suitable for Aircraft Loading
 - Stainless Steel Springs Assist lifting enabling one person operation
 - Integrated hold open Safety Bar
 - Stainless Steel Locking Screws
 - ‘Slam Latch’ fitted as standard
 - Ductile Iron Covers / Gratings with Grey Iron Frames
- (Required lifting force complies with current manual handling regulations providing the recommended lifting technique is followed)*

ELKINGTON
GATIC

Elkington Gatic, Hammond House, Holmestone Road, Poulton Close, Dover, Kent CT17 0UF, England
Telephone: +44 (0) 1304 203545 Fax: +44 (0) 1304 215001
Email: acp@gaticdover.co.uk Website: www.gatic.com